

SitStand

The Everywhere Lift Chair™



Give Your
Life a Lift
Everywhere!



Exclusively distributed by



SitnStand Classic





Fits any chair around the house,
patio or yard



Easy-to-use, safe and stable.
With a 2-year warranty



Weight allowance, up to 121kg

- Washable, easy-to-remove seat cover
- Lightweight: Only 4kg
- Designed for prolonged comfortable sitting and easy standing
- No cords - Powered by a rechargeable battery

SitStand
The Everywhere Lift Chair™

Sit



Stand



SitnStand Compact





**Convenient to take anywhere.
Weighs only 3kg**



**Easy-to-use, safe and stable.
With a 2-year warranty**



Weight allowance, up to 121kg

- Ideal for restaurants, theaters, sports events & more
- Designed for prolonged comfortable sitting and easy standing
- No cords - Powered by a rechargeable battery

SitStand
The Everywhere Lift Chair™

Sit



Stand



SitnStand for Wheelchairs





**Fits any chair around the house,
patio or yard**



**Easy-to-use, safe and stable.
With a 2-year warranty**



Weight allowance, up to 121kg

- Lightweight: Only 3kg!
- Comes with a free high-end memory foam cushion for prolonged sitting
- No cords - Powered by a rechargeable battery

SitStand
The Everywhere Lift Chair™

Sit



Stand



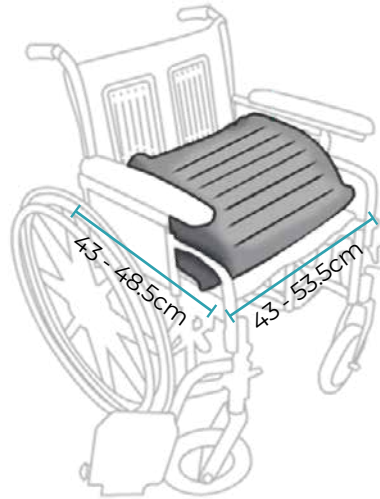
Specifications

SitnStand
Classic
LSS403710



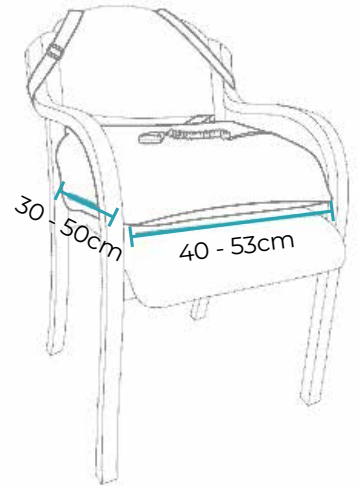
Chair back width 45cm
Chair seat width 38 - 51cm
Chair back height 160cm

SitnStand
Compact
LSS403690



Chair depth 43 - 48.5cm
Chair width 43 - 53.5cm

SitnStand
Wheelchair
LSS403700



Chair depth 30 - 50cm
Chair width 40 - 53cm



**Easy-to-use,
safe and stable.
With a 2-year warranty**



**Weight allowance
Up to 121kg**

- Rechargeable Battery:
Lasts 4-7 days
- Safe Patient Lifting
- Washable Cover
(SitNStand Classic Only)

Replacements

Lithium Ion Battery
LSS403720



Battery Charger
LSS403730



SitnStand
The Everywhere Lift Chair™

Exclusively distributed by

aidacare
HEALTHCARE EQUIPMENT

1300 133 120 | aidacare.com.au
sales@aidacare.com.au