

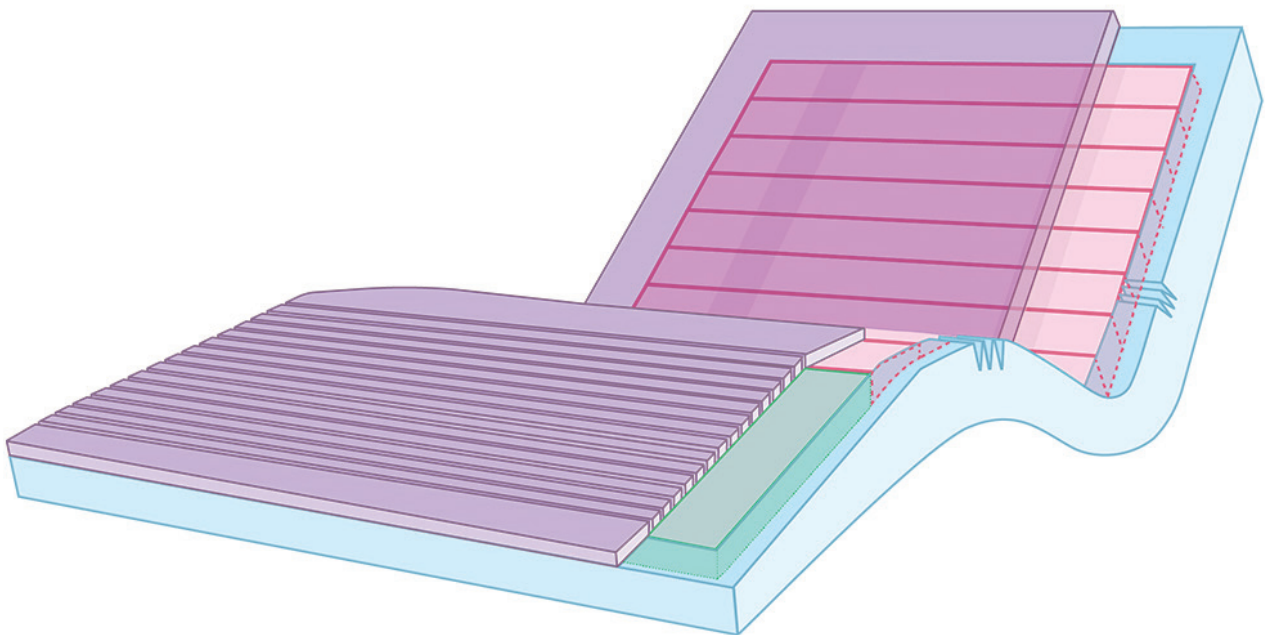


Hybrid Comfort Mattress

Single | King Single | Bariatric

Alternating Pump | Alternating Pump – Bariatric

USER MANUAL



Thank you for choosing this Aspire Hybrid Comfort Mattress.
This mattress has been designed specifically to offer comfort,
support and protection.
**It is important that you read this user manual carefully before using
your new Aspire Hybrid Comfort Mattress.**

TABLE OF CONTENTS

1. Symbols Used in this Manual	4
2. Symbols Used on the Product	4
3. Introduction	5
4. Safety Precautions	6
5. Product Safeguards	7
6. Product Overview	8
7. Assembly & Setup	9
8. Operation	11
9. Product Specifications	14
10. Cleaning	15
11. Maintenance & Storage	16
12. Troubleshooting	17
13. Warranty & Service	18
14. Customisation & Modification	18
15. Manufacturer, EU Representative & Importer Details	19



This product features the UKCA mark, in compliance with Part II UK MDR 2002 (as amended) Class 1.



This product features the CE mark, in compliance with the Medical Devices Regulation 2002 (as amended) Class 1, and the Medical Device Regulation 2017/745

© Aidacare Pty Ltd 2024

No part of this user manual may be copied, distributed, reproduced, scanned or stored on any electronic database, whether in whole or in part in any form or by any means.

Due care has been taken to ensure all the information contained in this user manual is correct at the time of printing. All measurements, pictures, colours and weight capacities are to be used as a guide only. We reserve the right to modify the design or appearance of any product displayed in this user manual without prior notice.

1. SYMBOLS USED IN THIS MANUAL

The symbols below are used throughout this user manual and on the product to identify warnings and important information. It is very important for you to read them and understand them completely.



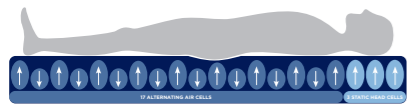
WARNING! Indicates a potentially hazardous condition/situation. Failure to follow designated procedures can cause either personal injury, component damage or malfunction. On the product, this icon is represented as a black symbol on a white triangle with a black border.



ALWAYS! These actions should be performed as specified. Failure to perform mandatory actions can cause personal injury and/or equipment damage. On the product, this icon is represented as a white infinity symbol on a black dot with a white border.



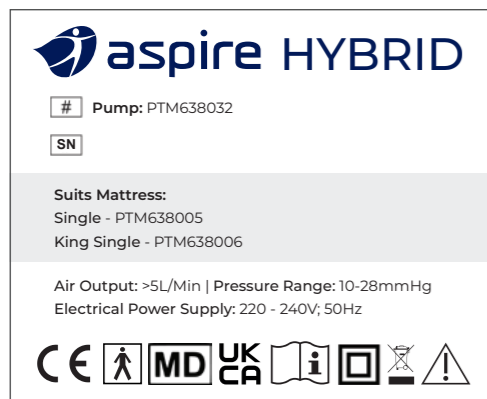
DO NOT! These actions are prohibited. These actions should not be performed at any time or in any circumstances. Performing a prohibited action can cause personal injury and/or equipment damage. On the product, this icon is represented as a white symbol with a black circle and black slash.



Range
30 – 230kg | 5 – 35st

PATIENT WEIGHT RANGE. This represents the range within which the mattress provides effective pressure redistribution outcomes. Patient weight should NOT fall outside this range at any time as this may void warranty and/or produce ineffective patient support outcomes.

2. SYMBOLS USED ON THE PRODUCT



Please note: Stickers are not shown to scale. The sticker shown above is a sample only, codes may differ from product to product.

- # Product Code
- SN Serial Number
- UK CA UKCA Mark
- i Read User Manual
- ! Caution
- Person icon Type B as per IEC60601-1
- Class 2 Electrical Equipment
- Waste symbol Includes Electronics components and should be mixed not be mixed with General household waste
- MD Medical Device
- CE CE Mark

3. INTRODUCTION

The Aspire Hybrid Comfort Mattress can be used as a static support surface or stepped up to an alternating pressure support surface offering a suite of features for an occupant at Medium to High risk of pressure injury.

Ease of use, functionality, serviceability and cleaning practicality are key features of the Aspire Hybrid Comfort Mattress.

CLINICAL APPLICATIONS AND AREA OF USE

This Static or Alternating Mattress Replacement is appropriate for adult patient care and should only be used under the instruction of a carer or health professional where concerns exist around patient safe use.

INTENDED USE

The Aspire Hybrid Comfort Mattress is intended to help and reduce the incidence of pressure injuries while optimising patient comfort. Aspire Hybrid Comfort Mattress may be used in a variety of environments including, but not limited to in home care, aged care and hospital. Product Description

The Aspire Hybrid Comfort Mattress offers foam-in-cell technology enabling flexible operation as either a high comfort foam static support surface or powered-up alternating pressure support surface.

The Aspire Hybrid Comfort Mattress offers users a comfortable and relaxing support surface incorporating the established principles of alternating therapy (when pump is connected) which can both prevent skin breakdown and enhance healing.

The Aspire Hybrid Comfort Mattress features a multi-stretch PU coated fabric cover (with high MVTR) along with 6 x foam filled alternating cells, 3 x static head cells and an optimised heel protection zone for pressure redistribution in the vulnerable heel area.

KEY FEATURES

1. **Patient weight range** of this mattress replacement is:
 - 30 – 230kg / 5 – 36st (PTM638005/PTM638006)
 - 30 – 380kg / 5 – 60st (PTM638007)
2. **Self Adjusting Pressure Redistribution** – In non-powered mode, 9 interconnected foam filled cells allow air to move freely between them via the user's body movements. An integrated memory foam overlay improves immersion, envelopment and comfort
3. **Active Pressure Redistribution** – In powered mode, the alternating and static mode become available
4. **Alternating Mode** – Provides an active support surface that redistributes pressure beneath the user via a 1 in 2 alternating cycle
5. **Intelligent Static Mode** – Uniformly distributes pressure to create a firm surface to assist with patient transfers and bed entry/exit
6. **Optimised Heel Protection** – A 12° heel zone redistributes pressure up the lower leg, away from the vulnerable heel region. The castellated surface collapses in a wave-like movement reducing shear
7. **Intelligent Hose Management** – When not in use the air-hose can be stored internally, reducing infection control and OH&S issues
8. **Memory Foam Top Layer** – Integrated memory foam overlay improves immersion, envelopment and comfort
9. **CPR Compatible** – Because the mattress has a foam core, CPR can be conducted at all times by simply disconnecting the pump from the mattress to create a foam patient surface to facilitate cardio pulmonary resuscitation in emergency situations
10. **Integrated Shear Reduction** – The memory foam overlay moves independently of the underlying cells, reducing shear as the bed profiles
11. **Breathable Cover** – Multi-stretch cover offers a high Moisture Vapour Transfer Rate (MVTR) which promotes air flow and optimal skin microclimate
12. **Superior Infection Control** – Fully welded seams, with waterfall zip covers, ensures protection against fluid ingress. Leading European cover fabric maximises hygiene and performance outcomes

4. SAFETY PRECAUTIONS

This user manual outlines the intended use of the Aspire Hybrid Comfort Mattress.

The intended use constitutes how to achieve maximum comfort whilst maximising safety and efficiency for care staff and patients alike.

It is **IMPORTANT** that this user manual is read in its entirety prior to operating the Aspire Hybrid Comfort Mattress. The manual is designed to ensure that patients are equipped with the information required to competently and responsibly operate the user's mattress and pump.

It is recommended that the user manual be kept in an easily accessible place for quick reference. If required, Aidacare product specialists can provide additional training.

All **WARNINGS** and **CAUTIONS** within this manual should be strictly adhered to. Failure to do so could result in harm to the patient or operator.

CAUTIONS highlighted throughout this manual identify possible hazards in procedures or conditions, which if not followed correctly could result in equipment damage, or failure.



WARNINGS highlighted throughout this document identify possible hazards in procedures or conditions which if not followed correctly could result in serious injury, or fatality.

GENERAL

1. Electrical equipment can be hazardous if used incorrectly
2. Residual Current Devices (RCD) are not supplied with Aspire Hybrid Comfort Mattress. Please consult with your Biomedical Engineer/advisor concerning RCD requirements
3. The clinically qualified person responsible should consider the age, size and condition of the patient before using the Aspire Hybrid Comfort Mattress
4. The maximum safe working load for the Aspire Hybrid Mattress is:
 - Single: 30 - 230kg / 5 - 36st
 - King Single: 30 - 230kg / 5 - 36st
 - Bariatric: 30 - 380kg / 5 - 60st
5. This mattress is not to be used on top of a pre-existing support surface. This is a Mattress Replacement so there is no need for a static foam mattress or pressure safety underlay to be located underneath, this mattress can go directly onto the bed platform

5. PRODUCT SAFEGUARDS



To reduce the risk of electrocution

1. Occupants should not operate the product at any time. Always ensure that the pump is unplugged when not in use.
2. **DO NOT** disassemble the pump at any time.
3. **DO NOT** place or store the pump close to water or any other liquid.
4. **DO NOT** submerge the pump in water or any other liquid.
5. **DO NOT** make contact with the pump if it has come into contact with water or any other liquid, unplug immediately.

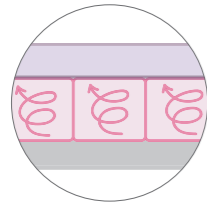


To reduce the risk of burn, electrocution, fire or injury to the patient

6. When powered mode is to be used, the mattress will become active by connecting it to the pump. Ensure the pump is not turned off or unplugged whilst in use.
7. Always ensure that warning labels are adhered to ensuring that voltage is correct, approved power cords are used and that Children & Animals do not come into contact with the packaging materials that could cause suffocation.
8. Equipment is not suitable to be used in the presence of a flammable anaesthetic mixture with air, oxygen or nitrous oxide.
9. Keep away from sharp objects.
10. Close supervision is necessary when this product is used by, on, or near children or people with disabilities.
11. Use this product only for its intended use as described in the user manual. **DO NOT** use attachments not recommended by Aidacare.
12. **DO NOT** operate this product if the pump has a damaged power cord or plug, not working properly, has been dropped or damaged or dropped/submerged into water or another liquid. If this occurs, contact your Aspire dealer immediately for a product inspection.
13. Keep the power cord away from hot surfaces.
14. **DO NOT** block the air valves/tubes/openings by placing on a soft surface such as a bed or couch. Keep all valves/tubes/openings responsible for air flow, clear of all lint, hair and other particles.
15. **DO NOT** insert any object into the air valves/tubes/openings.
16. Avoid dropping pump and do NOT mount any heavy objects on top of it.
17. Place the power cord and air hoses at the occupant's foot area to avoid strangling of the occupant's neck.
18. Avoid electromagnetic interference by ensuring that electro-magnetic or RF generated equipment is kept away from the occupant.
19. Over the course of operation, the pump will generate a small amount of heat. **DO NOT** maintain skin contact with pump for more than 1 minute at a time. Never cover the pump when it is in use, ensure air flow to pump is free at all times.
20. During a power outage or loss (even if only temporary) the pump will stop and power failure alarm will sound for up to 20 seconds. The pump will return to normal operation once the power supply is resumed.
21. Connect this product to a properly grounded power outlet only.
22. Avoid the risk of electrocution by grounding the ground pin with grounding power outlet.
23. The EMC specification is compliant with all regulations and requirements. For power leads with a ground pin, the connection with properly grounded power outlets will suppress the EMC effect. The pump will not work correctly for power leads that are not grounded.

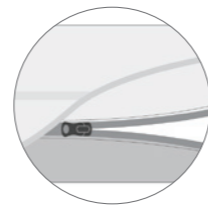
6. PRODUCT OVERVIEW

The Aspire Hybrid Comfort Mattress has been designed for the aged care and hospital environment. Please take the time to familiarise yourself with the key components shown below:



Hybrid Air Cells

9 x foam filled cells facilitate pressure redistribution

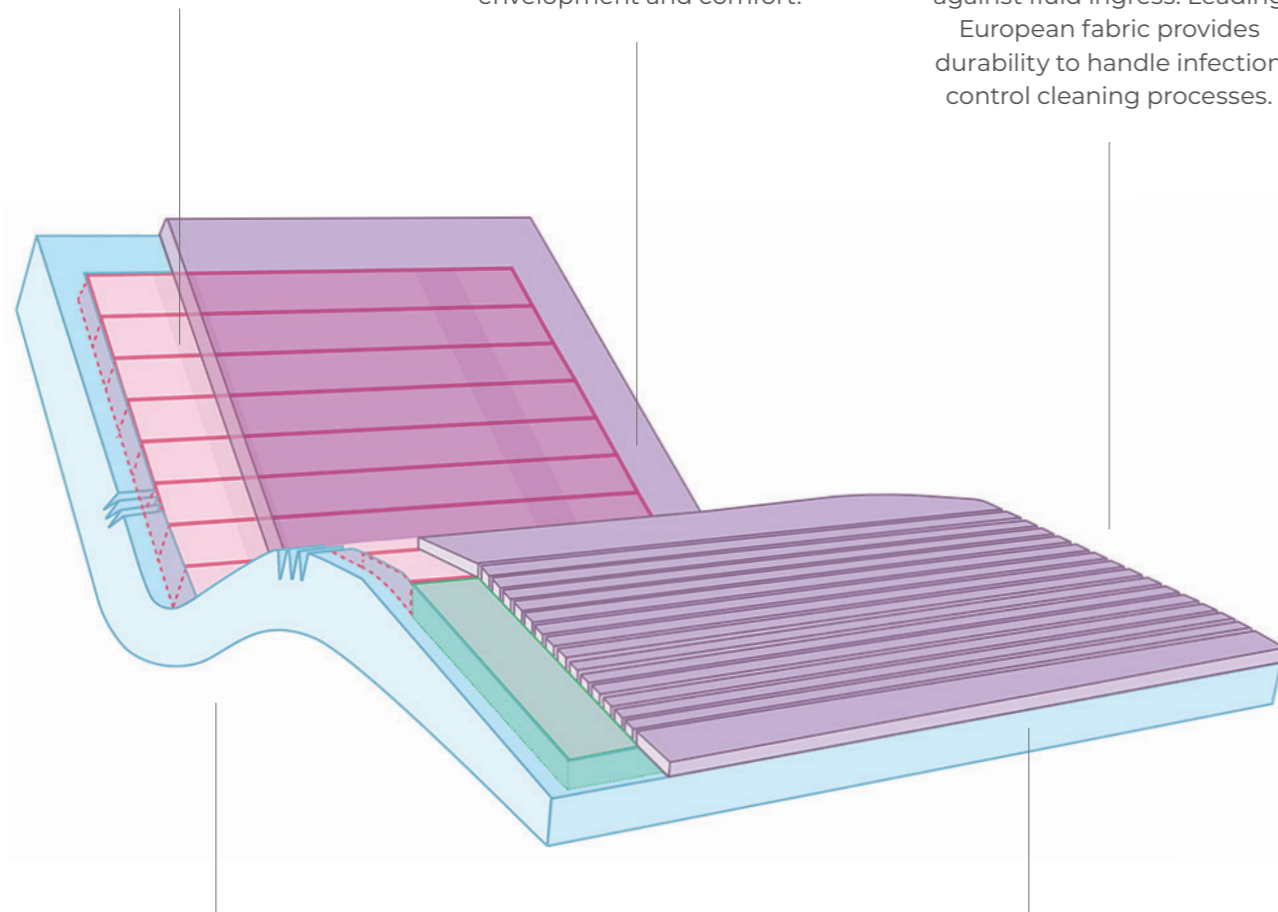


Infection Control

Fully welded seams, with waterfall zip covers, protect against fluid ingress. Leading European fabric provides durability to handle infection control cleaning processes.

Memory Foam Top Layer

Integrated memory foam overlay improves immersion, envelopment and comfort.



Intelligent Hose Management

When not in use the air-hose can be stored internally, reducing infection control and OH&S issues.

Optimised Heel Protection

A 12° tapered heel zone redistributes pressure up the lower leg, away from the vulnerable heel region. The castellated surface collapses in a wave-like movement reducing shear.

7. ASSEMBLY & SETUP

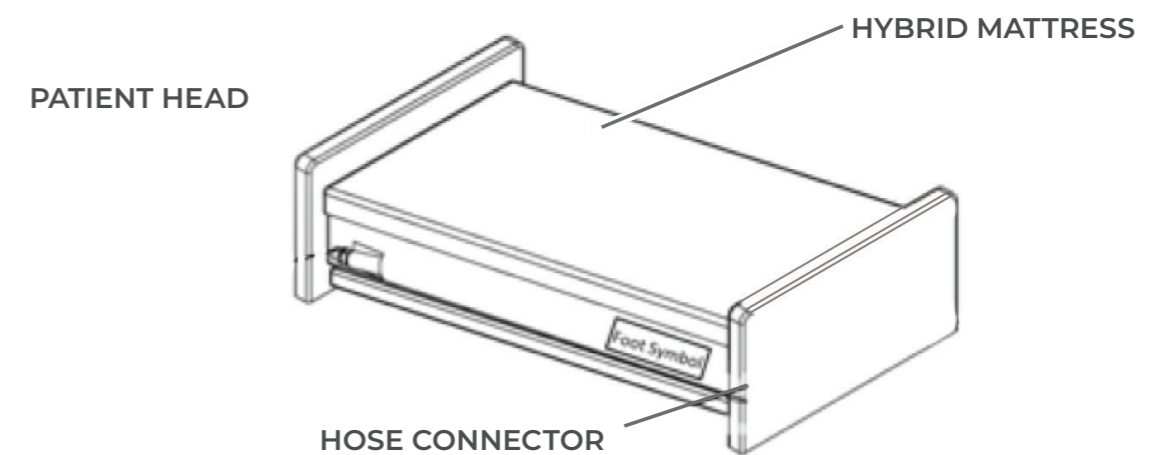
Box Contains

- Hybrid Comfort Mattress
- User Manual
- Digital pump (sold separately)



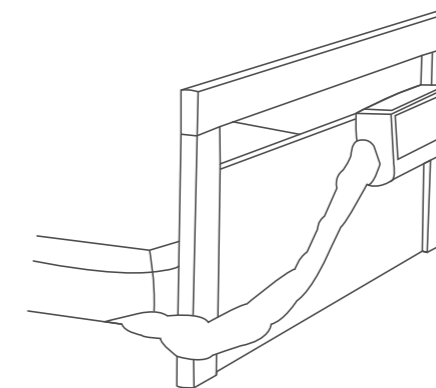
When opening the carton, ensure it is done in a safe and careful manner. **DO NOT USE** a box cutter or sharp implement as this may damage the product.

Place the Aspire Hybrid Comfort Mattress directly onto the mattress platform, ensuring that there is no existing foam mattress or pressure safety underlay underneath. Ensure the HEEL PROTECTION ZONE is towards the **FOOT END** of the bed.

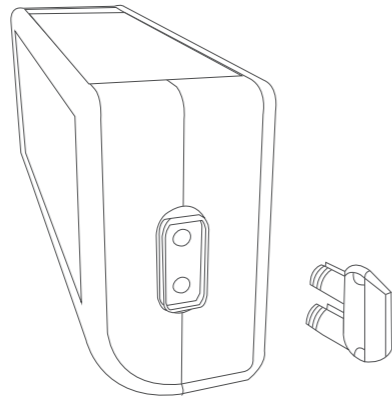


When using Aspire Hybrid Comfort Mattress with Pump:

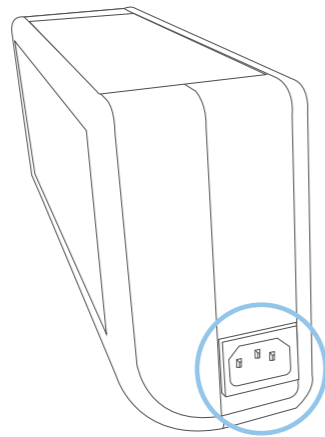
1. Position the pump on the FOOT END of the bed end. The hanger bracket assembly will position the pump onto the bed end.



- Firmly push the hose connector into the side of the pump until a notable 'click' sound is heard.



- Connect the mains power cable to the power outlet and turn **ON**.



- Plug the mains power cable into the electrical power socket.
- Set mode suitable for patient (Refer to OPERATION for further details on how to adjust the mattress replacement).



DO NOT place the pump unit in an area where the power cord can become pinched or stuck.



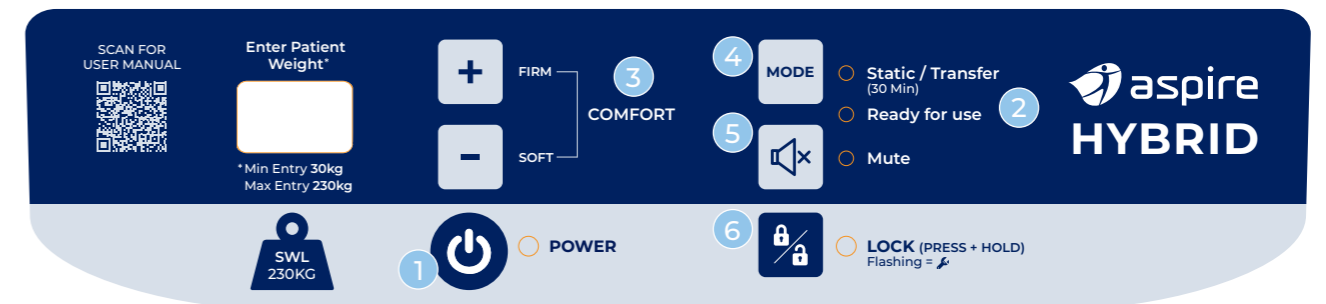
The pump is only to be used with the Aspire Hybrid Comfort Mattress and not any other system.

8. OPERATION

Aspire Hybrid Comfort Mattress can be powered by a digital pump (sold separately) which can be controlled with the digital control panel.

Various modes can be set on the digital pump to ensure maximum comfort and safety for the occupant.

CONTROL PANEL OPERATION



NOTE: PTM638032 | PTM638032 -UK pictured, functions of the PTM638030 | PTM638030 -UK performs the same.

- | | |
|-----------------|------------------------|
| 1 Power On | 4 Static/Transfer Mode |
| 2 Ready for Use | 5 Mute |
| 3 Comfort Level | 6 Function Lock Out |

POWER ON/READY FOR USE

The power button for the pump is located on the front of the pump.

- Press the power button ON
- The LED next to the power button will illuminate. Cells will inflate, **READY FOR USE** LED will illuminate and alternation will begin (unless static/transfer mode is selected)



COMFORT LEVEL

Comfort level can be set specific to the occupants weight, ensuring for the correct amount of pressure redistribution.

1. Press the FIRM button to adjust patient weight UP, when released the correct amount of pressure will be distributed throughout the mattress.
2. Press the SOFT button to adjust patient weight DOWN, when released the correct amount of pressure will be distributed throughout the mattress.
3. The LED screen to the left of the comfort adjustment buttons will show the patient weight that has been set by pressing the FIRM/SOFT buttons.



STATIC/TRANSFER MODE

When a static surface or patient transfer is required, the Static/Transfer mode can be enabled.

1. Press the MAX AIR button to initiate Static/Transfer Mode
2. The LED will flash until maximum pressure is achieved, it will then become solid when Static/Transfer mode is ready



NOTE: After 20 minutes the system reverts to alternating mode. This ensures maximum user protection and pressure management if staff forget to reactivate alternation.

MUTE

1. Press the MUTE button to nullify all alarms from the pump.
2. If the issue is not rectified, the mute button will be automatically disabled and the alarm reactivated. This is a safety function to ensure a prompt response when an issue or fault occurs.



FUNCTION LOCK OUT

Carers can lockout functions to ensure they are not accidentally knocked or changed, impacting the operation of the system for the user.

1. Press and hold the function lock out button until the LED light is illuminated. When illuminated the functions are locked out.
2. To reverse this process, press and hold the function lock out button until the LED light is out. When LED is off all functions are unlocked.



9. PRODUCT SPECIFICATIONS

PUMP UNIT	
Code	PTM638030 PTM638032
Dimensions (mm)	260x140x95mm 12.6" x 5" x 9"
Weight (kg)	1.4kg 3lb
Cycle Times	11 minutes
Static Time	30 minutes
Pump Output Pressure Range (mmHg)	10-28mmHg
Power	220-240V; 50Hz
Fuse Rating	1A
Frequency	50 Hz (230V)
Classification	Class II Type BF
Operation Environment	5°C ~ 40°C 15%RH ~ 93%RH (no condensation)
Storage Environment	-25°C ~ 70° 93%RH (no condensation)
Environment Pressure	70 kPa-101.3kPa
Environment Horizontal Pressure	3000m
Water and Dust Protection Classification	IP21

MATTRESS			
	Single	King Single	Bariatric
Code	PTM638005	PTM638006	PTM638007
Dimensions	1980 x 895 x 170mm 78" x 35" x 7"	1980 x 1050 x 170mm 78" x 41" x 7"	1980 x 1050 x 170mm 78" x 41" x 7"
Weight	20kg 44lb	22kg 48.5lb	30kg 66lb
Cell Material	PU	PU	PU
No. of Air Cells	9 (6 x alternating & 3 x static head)	9 (6 x alternating & 3 x static head)	9 (6 x alternating & 3 x static head)
Cover Material	Multi-stretch PU coated fabric with high MVTR	Multi-stretch PU coated fabric with high MVTR	Multi-stretch PU coated fabric with high MVTR
Bottom Material	Polyester-PU	Polyester-PU	Polyester-PU
SWL	230kg 36st	230kg 36st	380kg 60st

10. CLEANING

To ensure all infection control protocols are strictly adhered to, it is extremely important to follow the below steps to keep the Aspire Hybrid Comfort Mattress clean at all times.

MATTRESS PUMP

- Wipe with a damp cloth that has been pre-soaked with a mild detergent
- Ensure pump is kept free of dust and other particles



DO NOT immerse or soak the mattress pump at any time

MATTRESS COVER

- To remove small spills or stains, wipe the mattress cover with a damp cloth that has been pre-soaked with a mild detergent or single use disinfectant wipe
- To remove large spills or stains, the top cover should be completely removed and laundered as per below procedure:
 1. Remove top cover by unzipping all 4 x sides from the mattress base
 2. Prewash top cover at up to 95° for 15 minutes
 3. Main wash top cover at up to 95° for 15 minutes
 4. Dry mattress cover prior to use by hanging up on a line/air dryer or on a low heat setting it can be tumble dried for up to 90 minutes
 5. Once dry, reattach top cover by zipping all 4 sides back onto the mattress base

CLEANING INFORMATION

Please wipe the cover with a disposable, soft cloth, which has been moistened with warm water and detergent (advisory at 40°C). Ensure to dry thoroughly.



Tumble dry on low heat



Do not bleach



Do not dry clean



Do not iron



Machine wash up to 95°

INFECTION CONTROL INFORMATION

For typical cleaning scenarios, a diluted solution mix of Sodium Hypochlorite or similar and fresh water should be used (up to 1,000 ppm).

In severe cases, chlorine based products (*diluted up to a maximum of 10,000 ppm) may be used.

Cover should be wet prior to application of chlorine and must be followed by a thorough fresh water wash down.

Ensure the surface is dried thoroughly with a soft cloth or air dried thereafter.

For further details, please contact your infection control team.

Do NOT use phenol based products.

*Failure to follow these instructions, may result in a void warranty situation.



DO NOT use phenol based products



WARNING

WARNING! After cleaning, the mattress must be completely dried prior to use



WARNING

WARNING! DO NOT dry mattress cover in direct sunlight to prevent text from fading

11. MAINTENANCE & STORAGE

To ensure longevity of your Aspire Hybrid Comfort Mattress, it is very important that it is correctly stored and regularly maintained.

GENERAL

- Check mains power cable and plug for any abrasions or excessive wearing
- Check mattress cover for signs of wear or damage
- Check air hoses for any kinks or breakages

FUSE REPLACEMENT

- Disconnect the mains power if there is a blown fuse
- Remove the cover on the side casing of the pump
- Remove old fuse and reinsert a new fuse, fix in place with the cover



WARNING! Only use fuse supplied by your Aspire Dealer, ensuring it has the correct rating and specification.

AIR FILTER REPLACEMENT

- Remove the cover on the rear casing of the pump
- Remove old filter and reinsert a new filter, fix in place with the cover

NOTE: If the filter does not require replacement, it can be cleaned by being washed gently with a mild detergent and warm water. Ensure the filter is dry prior to installing back into mattress pump.



WARNING! Only use filter supplied by your Aspire Dealer, ensuring it has the correct rating and specification

STORAGE

- Release all air from mattress cells by unplugging mattress pump from hose
- Store pump hose in storage pocket at FOOT end of mattress
- Secure and tighten mattress straps under mattress to prevent damage
- Store mattress in dry and cool area when not in use
- Store pump in dry and cool area when not in use

12. TROUBLESHOOTING

PROBLEM	SOLUTION
Pump will not connect with mattress	<ul style="list-style-type: none"> • Check mattress and pump are compatible, only digital Aspire pumps are to be used with this system • If problem persists, contact your Aspire dealer
Pump not working	<ul style="list-style-type: none"> • Check pump is connected to mains power • Check power switch is in the ON position • If problem persists, contact your Aspire dealer
Power failure	<ul style="list-style-type: none"> • Contact your Aspire dealer immediately
Low pressure LED light flashing/alarm is going off	<ul style="list-style-type: none"> • Check air hoses/tubes are tightly secured • Check all coupling connections along the mattress are secured • If problem persists, contact your Aspire dealer
Pump is on but mattress will not alternate	<ul style="list-style-type: none"> • Ensure the mattress is inflated • Check if ALTERNATING mode is ON • If problem persists, contact your Aspire dealer
Alarm is sounding	<ul style="list-style-type: none"> • If problem persists, contact your Aspire dealer
Noisy pump	<ul style="list-style-type: none"> • Check pump is mounted correctly and flat against FOOT end of bed • If noise persists, contact your Aspire dealer
Bottoming out but no alarm	<ul style="list-style-type: none"> • Check pressure setting is correct for specific patient • If the problem persists, contact your Aspire dealer

As a quick reference tool, refer to the troubleshooting sticker on the front of the pump casing for quick solutions. Always refer to the user manual where possible.

Should assistance be required, contact the Aidacare Service Department on 1300 133 120.

13. WARRANTY & SERVICE

Aspire Hybrid Comfort Mattress carry a comprehensive warranty as detailed below. Please keep proof of purchase for proof of warranty commencement.

5 YEARS WARRANTY
Foam

2 YEARS WARRANTY
Pump

1 YEAR WARRANTY
Cover & Cells

This product carries a warranty that varies by component part. The Foam carries a 5-year and the Pump carries a 2-year warranty. All other components including the cover and cell carry a 1-year warranty against manufacturing defects only and do not cover wear and tear through warranty.

Aidacare does not warrant against excessive or incorrect use, modification or any situation that could not be deemed as fair wear and tear. This is a back to base warranty and does not cover freight costs pertaining to the return of any items under warranty. For further information contact **Aidacare**.

Aidacare will not warrant the safety and or correct functioning of products where any original components have been changed or modified by non-**Aidacare** approved and trained service and maintenance staff or external providers. Furthermore, safety is not guaranteed where components have been replaced with non-original **Aidacare** approved parts. If any faults are detected upon receipt of this product please phone **Aidacare**. Any faults that are detected during normal use should be reported to **Aidacare** immediately to determine if warranty conditions apply and if so, the necessary repair or replacement work to be completed.

Spare parts list is available upon request.

For servicing, preventative maintenance and any other questions regarding this or any other **Aidacare** product please contact **Aidacare**.

14. CUSTOMISATION AND MODIFICATION

All mattress customisation, modifications, and or alterations made to this product are considered as “custom” changes. These may cause the product to no longer meet safety standards and should be considered prior to commencement.

Any customisation or modification of the Mattress or pump is not warranted by **Aidacare** and will void warranty.

15. MANUFACTURER, UK REPRESENTATIVE & IMPORTER DETAILS

If you have any questions, you can contact:



Manufacturer:

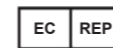
Aidacare Pty Ltd

ABN 40 134 398 833

Building 3A, 1 Moorebank Avenue,

Moorebank NSW 2170 Australia

1300 133 120 | product@aidacare.com.au



EU Representative:

European Device Solutions (Ireland) Ltd

Stratton House, Bishopstown Road,

Cork T12 Y9TC Ireland

info@europeandevicesolutions.eu



Importer:

Aidacare Ltd

Registration 13785408

Arcadia House, Maritime Walk, Ocean Village,

Southampton SO14 3TL United Kingdom

01622 541235 | info@aidacare.co.uk

AIDACARE PTY LTD

Building 3A, 1 Moorebank Avenue,
Moorebank NSW 2170
Australia

1300 133 120 | aidacare.com.au

AIDACARE LIMITED

Arcadia House, Maritime Walk,
Ocean Village, Southampton SO14 3TL
United Kingdom

01622 541235 | aidacare.co.uk

MADE IN PRC

ASUM35.27 050724

